

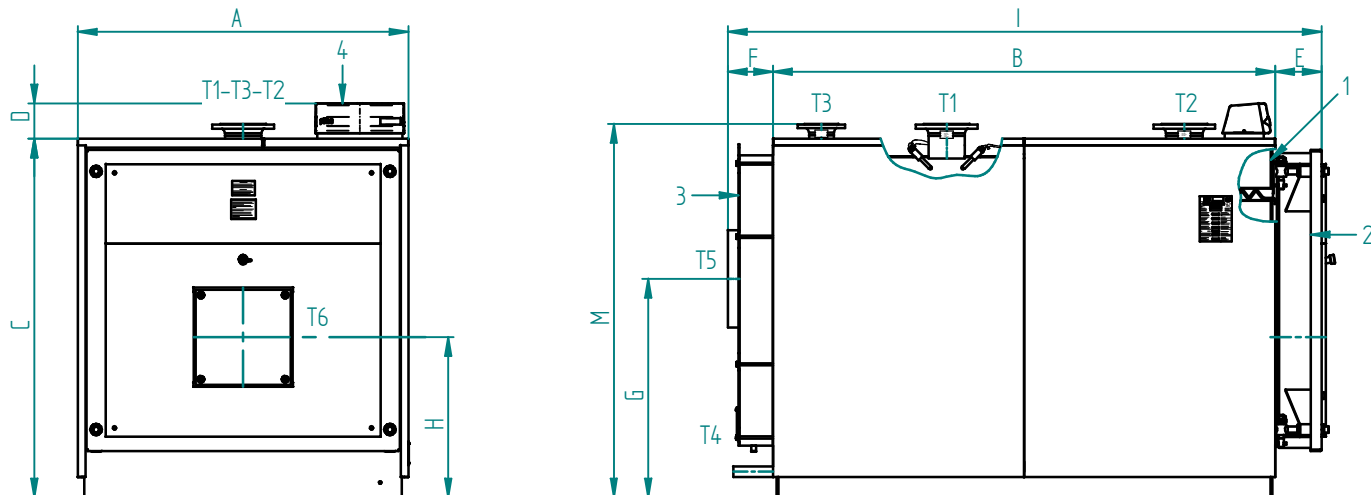
Generatore d'acqua calda
Hot water generator

Disegno / Drawing Nr. 3936613/0
rev. 03/03/2011

Pressione max esercizio **
Pressione prova
Temperatura progetto

Max working pressure ** 6 bar
Hydraulic test pressure 7,8 bar
Design temperature 100 °C

** Pressione max esercizio a richiesta: 8 bar / 10 bar
** Max working pressure on request:



Legenda
1 Caldaia
2 Porta
3 Camera Fumo
4 Quadro elettrico

Key
1 Boiler
2 Door
3 Smokebox
4 Electrical panel

PREXTHERM NGT		92	107	152	190	240	300	350	399	525	600	720	820	940	1060	1250	1480	1600	1890	
Potenza utile - Heat output	min	KW																		
	max	60	70	100	137	160	196	228	260	341	390	468	533	611	689	813	962	1040	1229	
Potenza focolare - Heat input	min	KW																		
	max	64,3	75	107,3	147,4	170,9	209,5	242,5	277,5	364,5	417	502	566	651	731	884	1046	1128	1336	
Capacità totale caldaia - Boiler total capacity		dm ³																		
Perdite carico lato acqua - Loss pressure water side Δt 15 °C		m bar																		
Perdite carico lato fumi - Pressure drop flue gas side		m bar																		
Portata fumi * - Flue gas flow-rate *		kg/h																		
Pressione max esercizio ** - Max working pressure **		bar																		
Peso a secco - Dry weight	standard	kg																		
	6 bar	260	260	350	350	440	480	550	590	860	970	1250	1250	1420	1580	2250	2650	2700	2850	
ATTACCHI - FITTING	mandata - flow	T1	2"	2"	2-1/2"	2-1/2"	2-1/2"	2-1/2"	2-1/2"	2-1/2"	2-1/2"	2-1/2"	2-1/2"	2-1/2"	2-1/2"	2-1/2"	2-1/2"	2-1/2"	2-1/2"	2-1/2"
	ritorno - return	T2	2"	2"	2-1/2"	2-1/2"	2-1/2"	2-1/2"	2-1/2"	2-1/2"	2-1/2"	2-1/2"	2-1/2"	2-1/2"	2-1/2"	2-1/2"	2-1/2"	2-1/2"	2-1/2"	2-1/2"
	sicurezze - safety	T3	1-1/4"	1-1/4"	1-1/2"	1-1/2"	1-1/2"	1-1/2"	1-1/2"	1-1/2"	1-1/2"	1-1/2"	1-1/2"	1-1/2"	1-1/2"	1-1/2"	1-1/2"	1-1/2"	1-1/2"	1-1/2"
	scarico - drain	T4	3/4"	3/4"	3/4"	3/4"	3/4"	3/4"	3/4"	3/4"	3/4"	3/4"	3/4"	3/4"	3/4"	3/4"	3/4"	3/4"	3/4"	3/4"
	uscita fumo - flue outlet	T5	Ø mm	200	200	220	220	220	220	220	220	220	220	250	250	350	350	350	400	400
	attacco bruciatore - burner attac. fitting	T6	Ø mm	145	145	150	150	150	240	240	240	240	210	210	270	270	270	270	270	350
	lg. min/max boccaglio - lg. min/max draught tube burner			250/320	250/320	250/320	250/320	250/320	250/320	250/320	290/360	290/360	320/390	320/390	320/390	320/390	320/390	350/420	350/420	350/420
DIMENSIONI - DIMENSIONS	A	760	760	810	810	810	950	950	950	1060	1060	1260	1260	1450	1450	1530	1530	1530		
	B	764	764	1014	1014	1264	1264	1514	1515	1516	1776	1776	1776	2016	2018	2018	2320	2320		
	C	866	856	911	911	911	1031	1031	1031	1181	1181	1331	1331	1331	1511	1511	1661	1661		
	D	165	165	165	165	165	165	165	165	165	165	165	165	165	165	165	165	165		
	E	130	130	130	130	130	150	150	150	170	170	170	170	170	190	190	190	190		
	F	152	152	152	152	152	152	152	152	152	152	152	212	212	212	212	212	212		
	G	515	515	545	545	545	630	630	630	725	725	815	815	815	900	900	1013	1013		
	H	395	395	420	420	420	495	495	485	570	570	615	615	615	670	670	743	743		
	I	1046	1046	1296	1296	1516	1546	1816	1817	1838	2098	2158	2158	2398	2420	2420	2722	2722		
	M	925	925	980	980	980	1100	1100	1100	1250	1250	1400	1400	1400	1580	1580	1730	1730		

* Combustibile gasolio: CO² = 13% - Combustibile gas: CO² = 10%

* Oil fuel: CO² = 13% - Gas fuel: CO² = 10%